

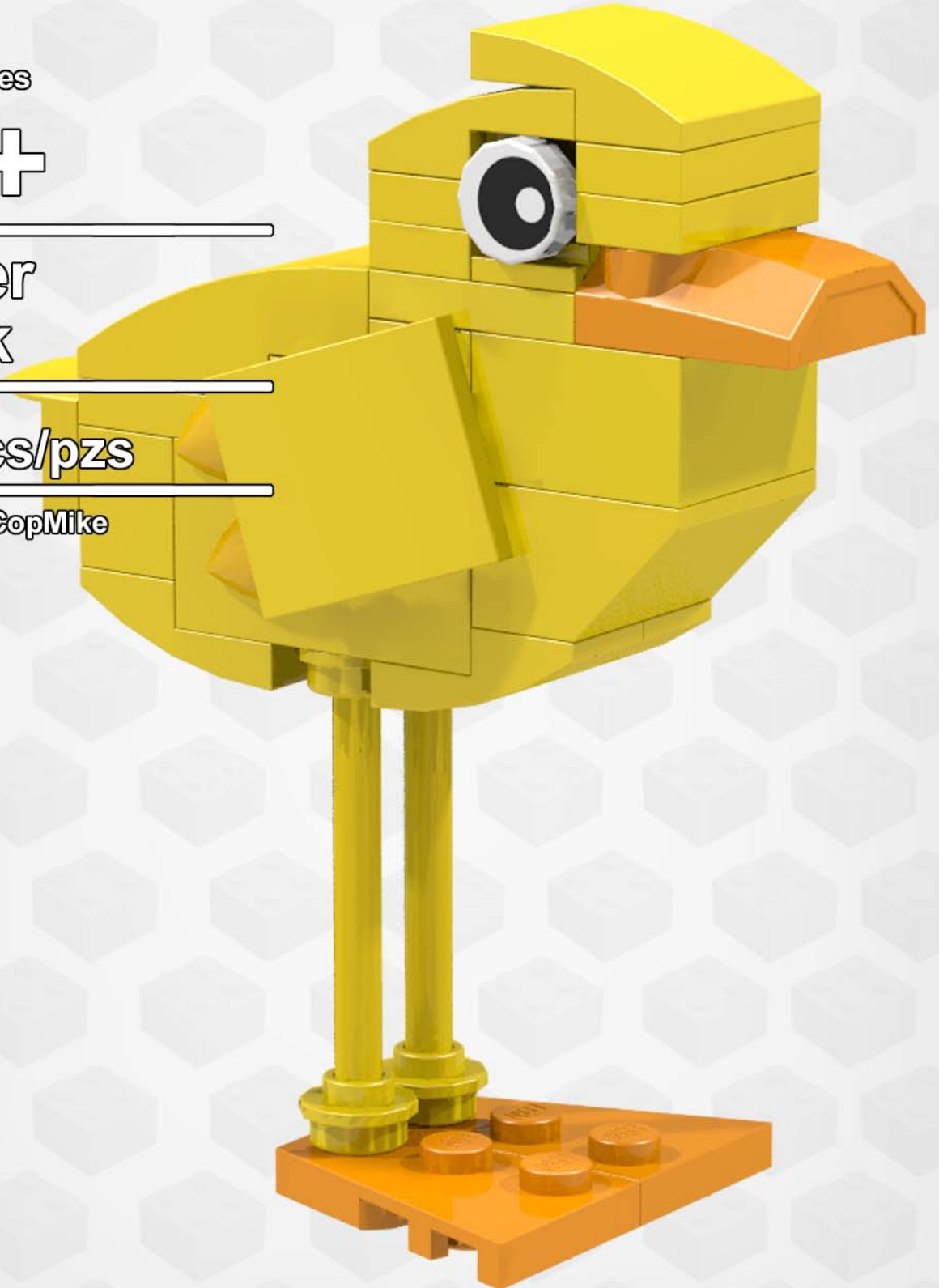
Ages/Edades

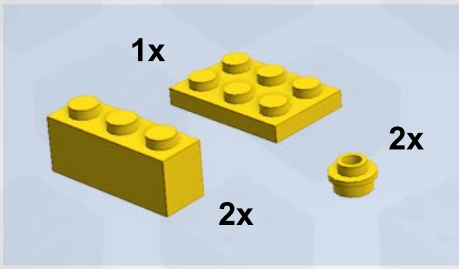
18+

**Easter
Chick**

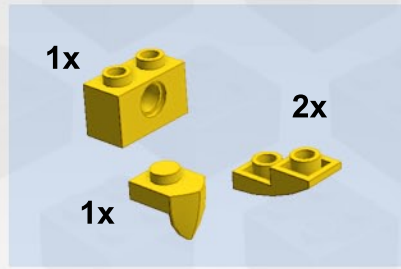
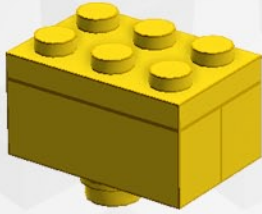
43 pcs/pzs

Design by CopMike

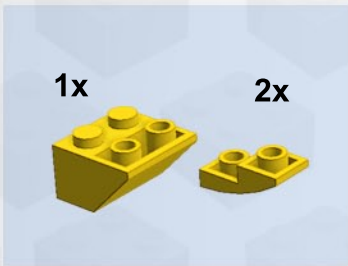
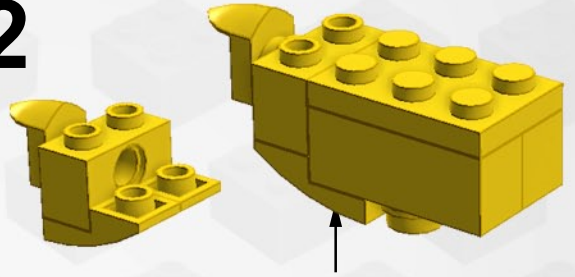




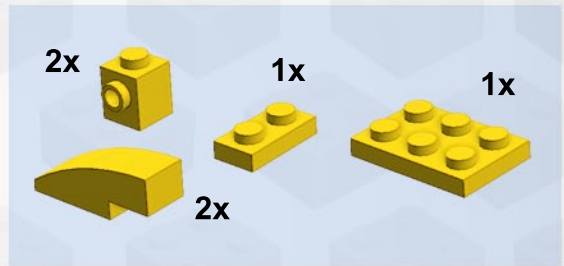
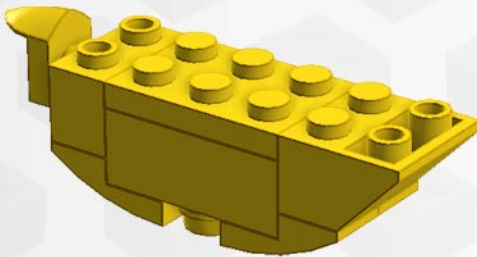
1



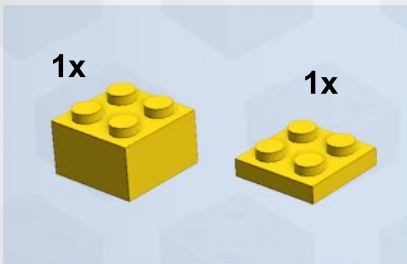
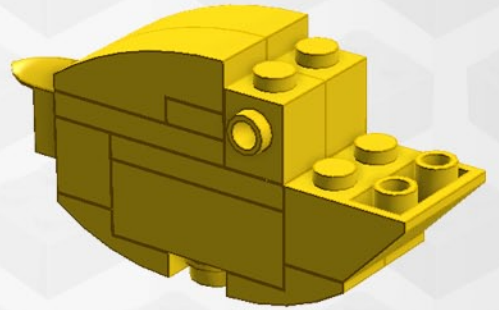
2



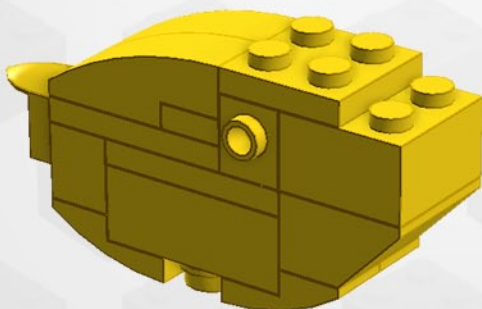
3



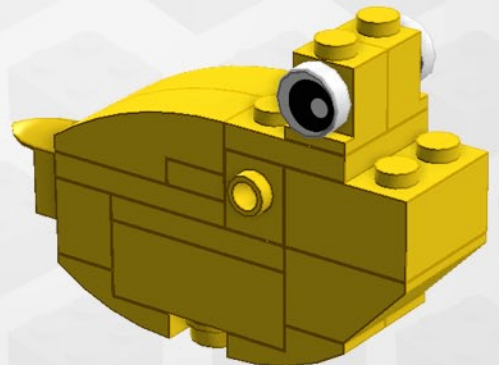
4

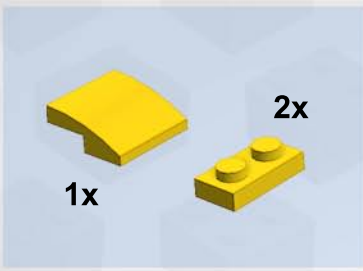


5

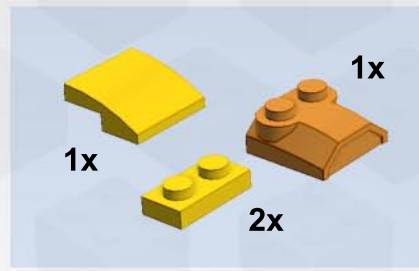
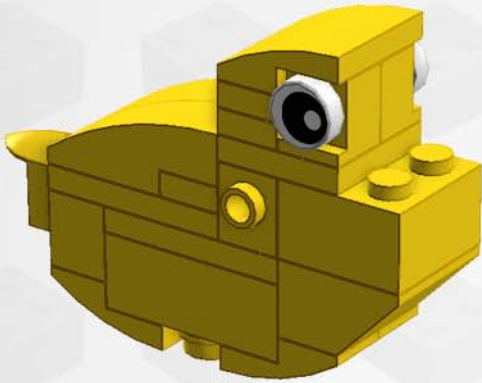


6

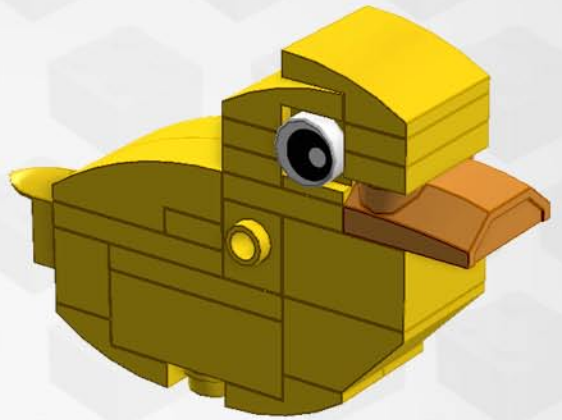




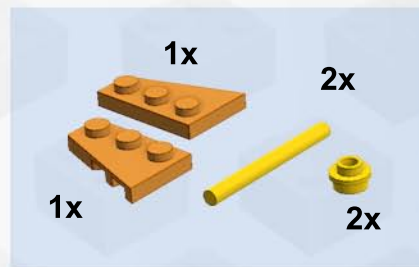
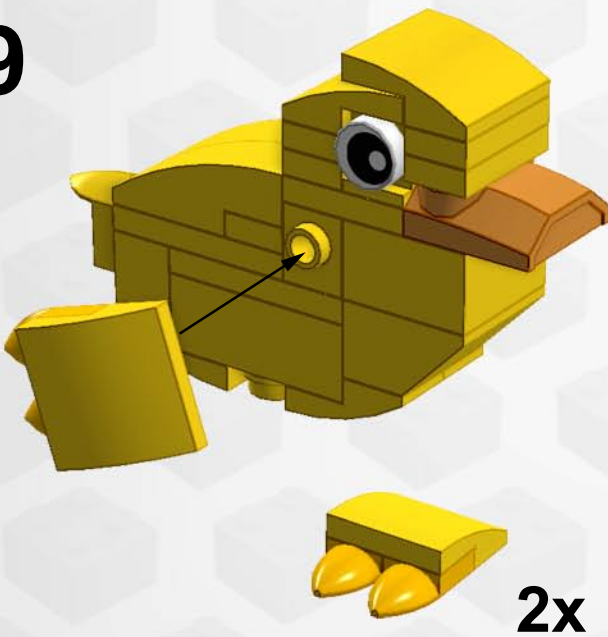
7



8



9



10



- | | | | | | | | | |
|-----|---|--|-----|---|---|-----|--|--|
| 2 x |  | BRICK 1X3 - Bright Yellow | 1 x |  | BRICK 2X2 - Bright Yellow | 2 x |  | ANGULAR BRICK 1X1 - Bright Yellow |
| 2 x |  | BRICK 1X1 W. 1 KNOB - Bright Yellow | 1 x |  | TECHNIC BRICK 1X2, Ø4.9 - Bright Yellow | 1 x |  | ROOF TILE 2X2/45 INV. - Bright Yellow |
| 4 x |  | PLATE W/ HALF BOW INV. 1X2X2/3 - Bright Yellow | 4 x |  | PLATE W. BOW 2X2X2/3 - Bright Yellow | 2 x |  | BRICK W/BOW 1/3 - Bright Yellow |
| 5 x |  | PLATE 1X2 - Bright Yellow | 1 x |  | PLATE 2X2 - Bright Yellow | 2 x |  | PLATE 2X3 - Bright Yellow |
| 2 x |  | FLAT TILE 1X1, ROUND - White | 4 x |  | PL. ROUND 1X1 W. THROUGHG. HO - Bright Yellow | 1 x |  | RIGHT PLATE 2X3 W/ANGLE - Bright Orange |
| 1 x |  | LEFT PLATE 2X3 W/ANGLE - Bright Orange | 2 x |  | LIGHT SWORD - BLADE - Bright Yellow | 4 x |  | PLATE 1X1 W/TOOTH - Flame Yellowish Orange |
| 1 x |  | PLADE 1X1 M. 1 LOD. TAND - Bright Yellow | 1 x |  | BONNET 2X2 - Bright Orange | | | |

